

SINGLE ROOM HEAT RECOVERY UNIT

ASPIRVELO AIR ECOCOMFORT

- ➔ Ø 160 and 100 mm
- ➔ Wall mounting
- ➔ Low noise level
- ➔ Suitable for rooms up to 44 m²*
- ➔ High efficiency ceramic heat exchanger up to 90%
- ➔ Up to 4 units can be controlled simultaneously
- ➔ Easy to install external grille
- ➔ Telescopic adapter to suit different wall thickness



* based on:

- air exchange equal to 0.5 Vol / h
- local height 2.70 meters

Calculation example: ambient surface x 2.70 meters x 0.5 Vol / h

DESCRIPTION:

High efficiency decentralized heat recovery unit.

Thanks to the ceramic heat exchanger the heat of the supply / extracted air flowing through it is accumulated and transferred to the air when the flow is reversed.

The ventilating unit is equipped with a DC brushless motor that thanks to its reverse function guarantees the correct air change of the room.

Aspirvelo air Ecocomfort is equipped with a G3 filter, easy to access and replace.

Aspirvelo air Ecocomfort can be controlled with a wall mounting control unit included in the packaging that allows the user to choose between automatic, extraction only or supply only. The control unit allows to adapt the fan speed according to the temperature difference between the indoor and the outdoor temperature readings.

The control unit is suitable to regulate for up to 4 units simultaneously.

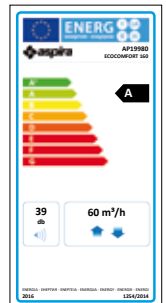
3
years
guarantee

IP20

Control
unit

IP33

Heat recover
unit



CHARACTERISTICS:

- Body made in antistatic ABS plastic;
- Operating temperature -20 ° C to 50 ° C;
- Compact dimensions and easy to install;
- Wall mounting control unit suitable for up to 4 units;
- Telescopic body to fit every wall thickness;
- External grille easy to install either from indoor or outdoor;
- Flow rectifier to grant higher performances, only for 160mm models;
- G3 filter.
- Complies with Reg. (UE) 1254/2014.

KIT AP19980 and AP19984 include:

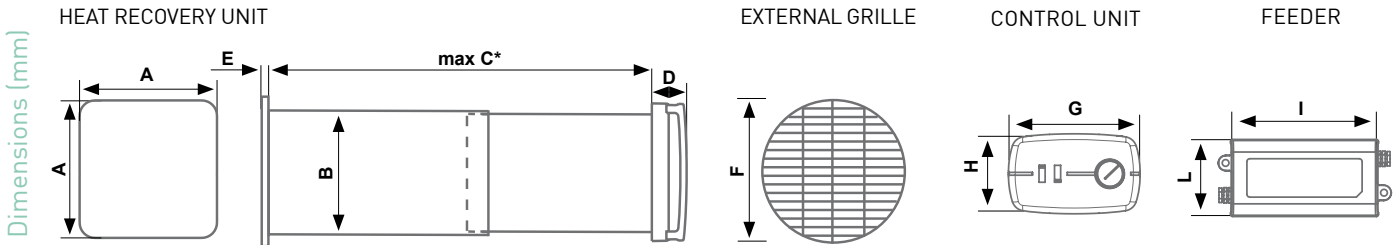
- Heat recovery unit with grille;
- Control unit;
- 12Vdc feeder suitable for up to 4 units;

ACCESSORIES AND SPARE PARTS:

- Heat recovery unit with grille;
- External air supply terminal;
- G3 filter.

DIMENSIONS

MODEL	A	B	C	D	E	F	G	H	I	L
ECOCOMFORT 160	180	160	530	47	20	190	140	85	77	40
ECOCOMFORT SAT 160		160	530							
ECOCOMFORT 100		107	570							
ECOCOMFORT SAT 100		107	570							



* In case of wall thickness less than 280mm cut the telescopic tube to the needed length and use a standard external grille (not supplied with the product)

TECHNICAL FEATURES

CODE	MODEL	Ø	SQM	Speed	m³/h	W	Power supply	dB(A) 1,5 mt
AP19980	ECOCOMFORT 160	160 mm	44 mq*	min	38	2,0	230V~ 50Hz	28
				max	60	4,0		34
AP19984	ECOCOMFORT 100	100 mm	20 mq*	min	12	1,5	230V~ 50Hz	21
				max	25	2,0		24

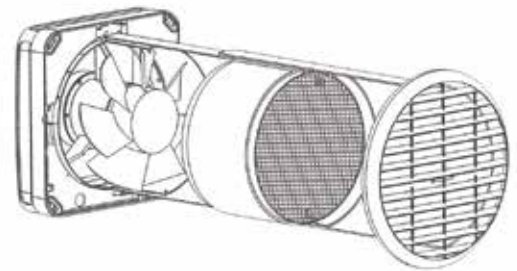
* based on: air exchange equal to 0.5 Vol / h and local height 2.70 meters
Calculation example: ambient surface x 2.70 meters x 0.5 Vol / h

KIT AP19980 and AP19984 include: heat recovery unit with grille, telescopic body, control unit and 12Vdc feeder.

TECHNICAL SPECIFICATIONS

HEAT RECOVERY UNIT

- Ventilating unit with DC motor;
- PVC shockproof telescopic body;
- Ceramic heat exchanger with efficiency >90%;
- G3 filter.
- Flow rectifier to grant higher performances, only for 160mm models;
- Splash proof protection class: IPX4.



CONTROL UNIT

- Automatic function: the extract and supply air are automatically alternated;
- Manual function: either extract or supply mode can be selected;
- Season setting: thanks to the knob it is possible to optimize the interval of the automatic mode according to the indoor - outdoor temperature difference;
- 2 speeds: 25 ÷ 50 m³;
- Splash proof protection class: IP20.
- Simultaneous control of up to 4 units.



FEEDER

- Protections: overload, short circuit, overheating.



INSTALLATION

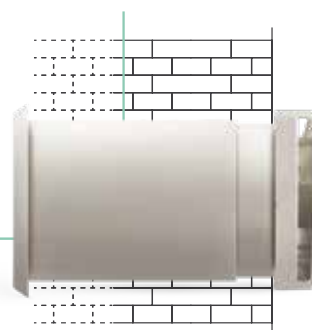
Ecocomfort must be installed on the external walls. Thanks to the telescopic body it fits easily every wall thickness between 24 and 53 cm.

The external grille can be easily installed from outside or inside without the need of any scaffolding.



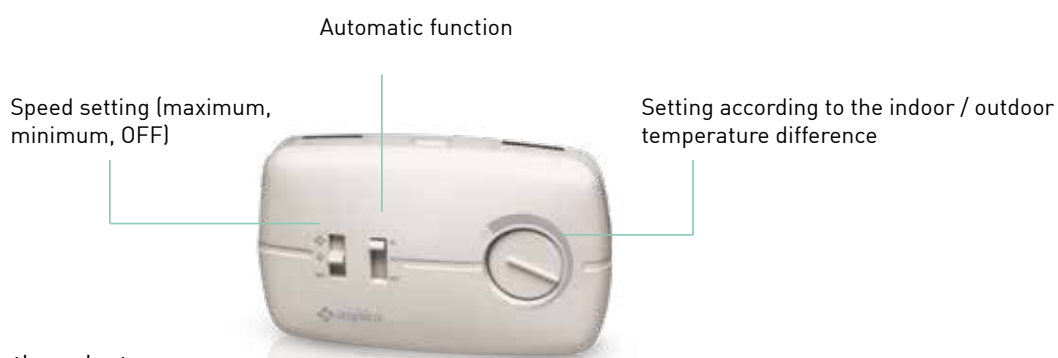
Telescopic adapter to suit different wall thickness minimum length 24 cm, maximum length 53 cm

External grille easy to install either from inside



FUNCTIONING

CONTROL UNIT



- Speed setting with the selector:
High position: speed 2 (Qmax)
Middle position: speed 1 (Qmin)
Low position: OFF
- Functioning mode setting:
High position: air supply
Middle position: alternate cycle (alternate the supply / air extraction every 35/200 sec)
Low position: air extraction
- Season setting: the knob allows to set alternate cycle according to the season or user needs between 35 and 200 seconds

ACCESSORIES

SECONDARY HEAT RECOVERY UNIT

- Suitable to ventilate other rooms
- Up to 4 units can be controlled with 1 control unit



CODE	MODEL	Speed	m ³ /h	W	Power supply	dB(A) 1,5 mt	For use with
AP19979	ECOCOMFORT SAT 160	V min	38	2,0	230V~ 50Hz	28	AP19980
		V max	60	4,0		34	
AP19985	ECOCOMFORT SAT 100	V min	12	1,5	230V~ 50Hz	21	AP19984
		V max	25	2,0		24	

KIT AP19979 and AP19985 include: heat recovery unit with grille and telescopic body.

G3 SPARE FILTER

CODE MODEL

For use with

AP19978 FR004

all ECOCOMFORT models



ELECTRICAL SCHEMES

CONTROL UNIT

TERMINALS

- 1: power supply + (12V)
- 2: power supply -
- 3: power supply + motor A or motor A and B
- 4: power supply - motor A or motor A and B
- 5: rotation direction motor A or motor A and B
- 6: speed control motor A or motor A and B
- 7: power supply + motor C or motor C and D
- 8: power supply - motor C or motor C and D
- 9: rotation direction motor C or motor C and D
- 10: speed control motor C or motor C and D

